

Technische Daten

KLUDI BOZZ
Stand pillar tap

Article- Nr.:
381180576

Surface:
05 chrome

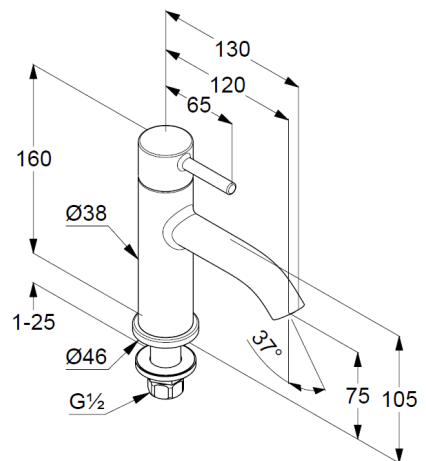
manufacturer KLUDI GmbH & Co. KG
Typ: KLUDI BOZZ
Stand pillar tap
PN 10
Art. Nr. 381180576

stand pillar tap
single hole mounted
solid lever, metal
Aerator M18,5 PCA
ceramic headparts 90°
flow rate at 3 bar= 5 l/ min.
shank-fixing
without pop up waste
without flexible high pressure supply tube/
or copper pipe Ø 10 mm (KLUDI Art. Nr. 1620305)

Product Picture



Dimensional drawing



Flow rate diagram

