

Technical Data

KLUDI PUSH
concealed bath shower mixer
trim set without pre-installation set
PN 10

Ref.:
387110538

Finishes:
05 chrom

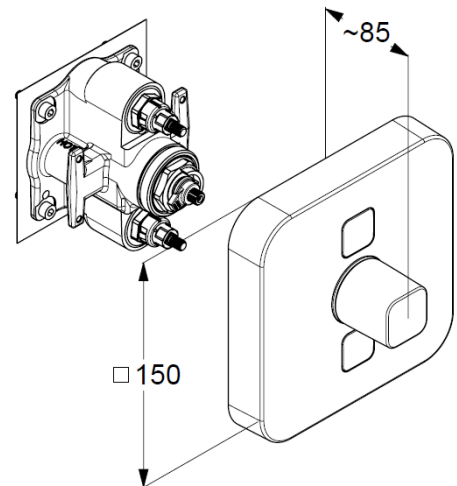
Product description
Manufacturer KLUDI GmbH & Co. KG
Typ: KLUDI PUSH
concealed bath shower mixer
trim set without pre-installation set
Ref.: 387110538

concealed bath-shower mixer
on-off with push button
2 Function
trim set without pre-installation set
pre installation set KLUDI FLEXX.BOXX Art. Nr. 88011
in-wall-installation
trim set with functional unit
vertical wall mounted
adjustable hotwater safety
Temperature adjust by ceramic cartridge 90°
flow rate at 3 bar 28 l/ min.
simultaneous use of 2 function possible

Product picture



Dimensional drawing



Flow rate diagram

