

**Product:** KLUDI ZENTA single lever basin mixer DN 10

**Ref.:** 38250..75

**Product description**

single lever basin mixer DN 10  
 solid lever  
 single hole mounted  
 flow class Z  
 s-pointer eco-aerator M 24 x I  
 ceramic cartridge with hot water safety device  
 pop up waste 1 1/4 inch  
 rapid installation set  
 flexible high pressure supply tubes G 3/8  
 noise group I  
 P-IX 18634/IA  
 SVGW approval no. 0902 - 5518

Finishes:  
 05 chrome  
 86 chrome/black  
 91 chrome/white

**Advertisement**

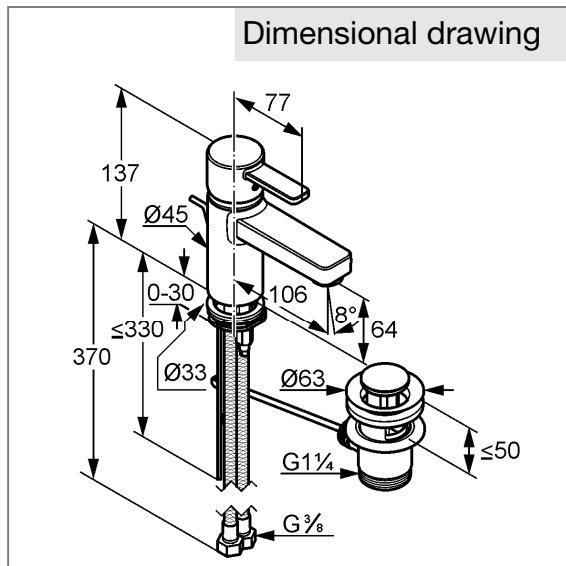
- \* KLUDI GmbH & Co KG KLUDI ZENTA single lever basin mixer item no. 38250..75
- \*\* ceramic cartridge with hot water safety device Ø 35 mm, DIN EN 817
- \*\*\* plated brass, DIN 50930-6

single lever basin mixer, manufacturer KLUDI GmbH & Co KG KLUDI ZENTA single lever basin mixer item no. 38250..75, DN 10, finishes: 05 chrome; 86 chrome/black; 91 chrome/white plated brass, ceramic cartridge with hot water safety device Ø 35 mm, solid lever, noise level DIN EN 4109 group I, report no. P- IX 18634/IA, type: single lever basin mixer DN 10, flow class Z (max. 0,15 l/s), s-pointer eco-aerator M 24 X I Z, pop up waste 1 1/4 inch, flexible high pressure supply tubes 3/8 inch with DVGW / KIWA / WRAS / CSTB with metal body length 370 mm, nozzle projection 106 mm, nozzle height 64 mm, lever projection 77 mm, rapid installation set, overall length 137 mm, for pressure type water heater, for continuous line heater, PN 10, SVGW approval no. 0902 - 5518

Product picture



Dimensional drawing



Flow rate diagram

