

## Technische Daten/ Technical Data

KLUDI xDIVE  
dual shower system  
DN 15

Ref.: 6908005-00

Finishes:  
05 chrome

Product description  
Manufacturer KLUDI GmbH & Co. KG  
Typ: KLUDI xDIVE  
dual shower system  
Ref.: 6908005-00

with horizontally and vertically adjustable pipe  
protected against back flow  
height-adjustable hand shower holder  
with fixing material  
for wall mounting  
water supply with connecting hose  
2-way ceramic diverter  
without shower mixer

hand shower 3 S  
flow rate at 3 bar 15 l/min.  
(with possibility of limiting to 9 l/min.)  
switch with button  
3 spray pattern  
Body/Hair/Skin  
with cleaning system  
connection G $\frac{1}{2}$   
sieve seal

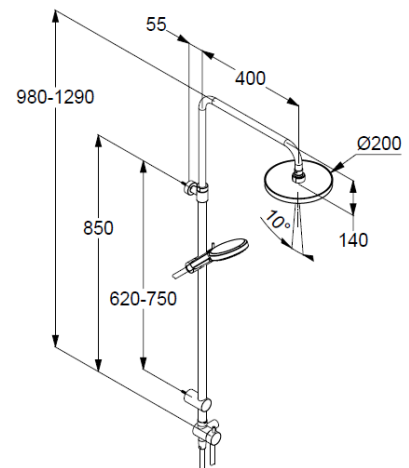
shower hose  
plastic coated  
with metal-effect  
with conical nuts  
anti twist  
G $\frac{1}{2}$  x G $\frac{1}{2}$  x 1600mm

head shower  
flow rate at 3 bar 15 l/min.  
1 spray pattern  
with cleaning system  
connection G $\frac{1}{2}$   
with ball joint  
Ø 250mm  
sieve seal

### Produktabbildung/ Product picture



### Maßzeichnung/ Dimensional drawing



### Durchfluss/ Flow rate

