

Technische Daten/ Technical Data

KLUDI AMBA

concealed thermostatic shower mixer
trim set with functional unit

Ref.: 538850575

Finishes:

05 chrome

Product description

Manufacturer KLUDI GmbH & Co. KG

Typ: KLUDI AMBA

concealed thermostatic shower mixer

trim set with functional unit

Ref.: 538850575

concealed thermostatic shower mixer

trim set without pre-installation set

pre installation set KLUDI SLIM.BOXX Ref.: 88022

wall mounted

trim set with functional unit

with ceramic shut-off valve 90°/90°

temperature handle with hot water safety at 38°C

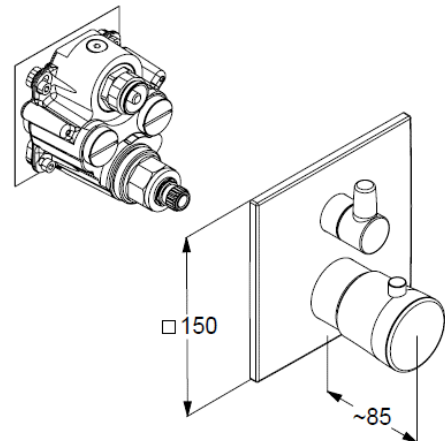
flow rate at 3 bar 28 l/min.

with integrated back flow preventer

Produktabbildung/ Product picture



Maßzeichnung/ Dimensional drawing



Durchfluss/ Flow rate

