

## Technische Daten/ Technical Data

### KLUDI LOGO

single lever dual shower system  
with bath spout  
DN 15

Ref.:  
6808305-00WR9

Finishes:  
05 chrome

### Product description

Manufacturer KLUDI GmbH & Co. KG

Typ: KLUDI LOGO

single lever dual shower system  
with bath spout

Ref.: 6808305-00WR9

single lever mixer  
diverter as rotary ceramic valve  
solid lever, metal  
lateral actuation  
aerator M24  
protected against back flow  
shower outlet G½  
ceramic cartridge with hot water safety device  
with horizontally and vertically adjustable pipe  
height-adjustable hand shower holder  
with fixing material

hand shower 3 S  
3 spray pattern  
Volumen/booster/smooth  
with cleaning system  
sieve seal

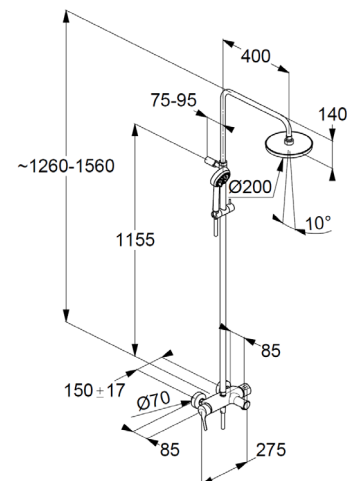
shower hose  
plastic coated  
with metal-effect  
with conical nuts  
anti twist  
G½ x G½ x 1600mm

head shower  
1 spray pattern  
with cleaning system  
connection G½  
with ball joint  
Ø 200 mm  
sieve seal

### Produktabbildung/ Product picture



### Maßzeichnung/ Dimensional drawing



### Durchfluss/ Flow rate

