

Technische Daten/ Technical Data

KLUDI LOGO

single lever dual shower system
DN 15

Ref.:
6808505-00WR6

Finishes:
05 chrome

Product description

Manufacturer KLUDI GmbH & Co. KG

Typ: KLUDI LOGO

single lever dual shower system

Ref.: 6808505-00WR6

single lever mixer
diverter as rotary ceramic valve
solid lever, metal
lateral actuation
protected against back flow
ceramic cartridge with hot water safety device
with horizontally and vertically adjustable pipe
height-adjustable hand shower holder
with fixing material

hand shower 3 S
3 spray pattern
Volumen/booster/smooth
with cleaning system
connection G $\frac{1}{2}$
sieve seal

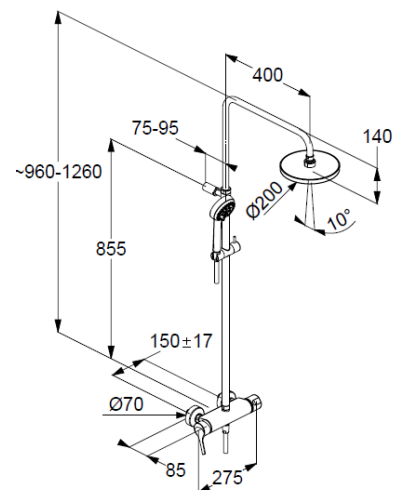
shower hose
plastic coated
with metal-effect
with conical nuts
anti twist
G $\frac{1}{2}$ x G $\frac{1}{2}$ x 1600mm

head shower
1 spray pattern
with cleaning system
connection G $\frac{1}{2}$
with ball joint
 \varnothing 200mm
sieve seal

Produktabbildung/ Product picture



Maßzeichnung/ Dimensional drawing



Durchfluss/ Flow rate

