

Technische Daten/ Technical Data

KLUDI FRESHLINE
hand shower 3 S
DN 15

Ref.:
6790005-00WR9

Finishes:
05 chrome

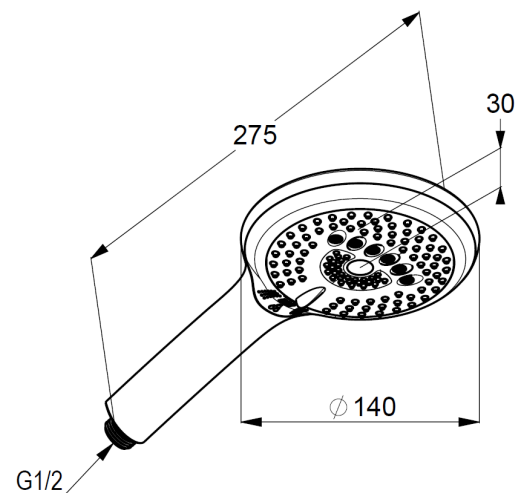
Product description
Manufacturer KLUDI GmbH & Co. KG
Typ: KLUDI FRESHLINE
hand shower 3 S DN 15
Ref.: 6790005-00WR9

hand shower 3 S
3 spray pattern
Volumen/ booster/ smooth
with cleaning system
flow rate at 3 bar 8 l/min.
connection G½
sieve seal

Produktabbildung/ Product picture



Maßzeichnung/ Dimensional drawing



Durchfluss/ Flow rate

