

Technische Daten/ Technical Data

KLUDI A-QA
head shower 1 S
250mm
DN 15

Ref.:
6432505-00WR9

Finishes:
05 chrome

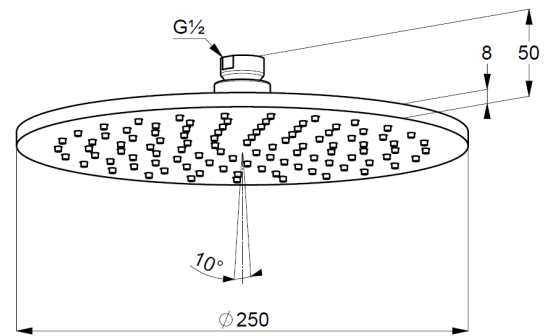
Product description
Manufacturer KLUDI GmbH & Co. KG
Typ: KLUDI A-QA
head shower 1 S
250mm
Ref.: 6432505-00WR9

head shower 1 S
1 spray pattern
with cleaning system
flow rate at 3 bar 8 l/min.
connection G $\frac{1}{2}$
with ball joint
 \varnothing 250mm
sieve seal

Produktabbildung/ Product picture



Maßzeichnung/ Dimensional drawing



Durchfluss/ Flow rate

