

Technische Daten/ Technical Data

KLUDI ZENTA SL
hygiene-set
DN 15

Ref.:
489983965

Finishes:
39 matt black

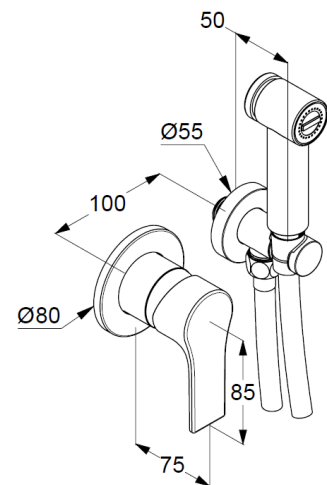
Product description
Manufacturer KLUDI GmbH & Co. KG
Typ: KLUDI ZENTA SL
hygiene-set
Ref.: 489983965

pre-installation set with trim set
vertical wall mounted
solid lever, metal
protected against back flow
shower outlet G½ inch
ceramic cartridge with hot water safety device
wall supply with shower holder
for shower hoses with conical nuts
shattaff with shower hose (metal)
G½ x G½ x 1250mm
1 spray pattern

Produktabbildung/ Product picture



Maßzeichnung/ Dimensional drawing



Durchfluss/ Flow rate

