

Technische Daten/ Technical Data

KLUDI ZENTA
thermostatic bath and shower mixer
DN 15

Ref.:
351013938

Finishes:
39 matt black

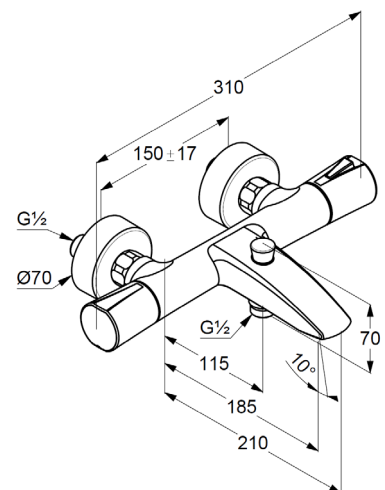
Product description
Manufacturer KLUDI GmbH & Co. KG
Typ: KLUDI ZENTA
thermostatic shower mixer
Ref.: 351013938

thermostatic bath and shower mixer
wall mounted
automatic diverter: shower/bath
temperature handle with hot water safety 38°C
aerator M24
shower outlet G $\frac{1}{2}$
protected against back flow
ceramic headparts 90°
flow rate at 3 bar 23 l/min.
S-unions G $\frac{1}{2}$ x G $\frac{3}{4}$
with dirt-catcher sieve

Produktabbildung/ Product picture



Maßzeichnung/ Dimensional drawing



Durchfluss/ Flow rate

