

**Product:** KLUDI AMBA single lever basin mixer DN 15, with pop up waste

**Ref.:** 530230575

**Product description**

single lever basin mixer DN 15  
 single hole mounted  
 solid lever  
 ceramic cartridge  
 aerator M 24 x 1  
 flow rate 5 l/min at 3 bar  
 flexible high pressure supply tubes G 3/8 inch  
 rapid installation set  
 pop up waste 1 1/4 inch

Finishes:  
 05 chrome

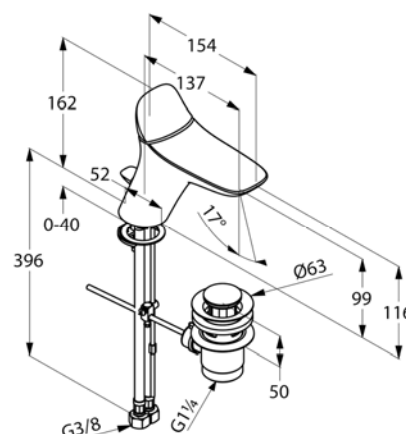
**Product picture**



**Advertisement**

single lever basin mixer, manufacturer KLUDI GmbH & Co KG  
 KLUDI AMBA item no. 530230575  
 type: single lever basin mixer, DN 15 / PN 10, chrome plated brass, with pop up waste 1 1/4 inch rod-pull and pull knob chrome plated, solid lever chrome plated metal, ceramic cartridge K-28, aerator M 24 x 1, flow rate 5 l/min at 3 bar, flexible high pressure supply tubes 3/8 inch with DVGW / W270 approval, rapid installation set  
 dimensions: height: 162 mm, nozzle height: 99 mm, projection: 154 mm

**Dimensional drawing**



**Flow rate diagram**

