

## Technische Daten/ Technical Data

KLUDI NOVA FONTE  
single lever basin mixer 100  
DN 15  
STYLE: PURA

Ref.:  
202890515

Finishes:  
05 chrome

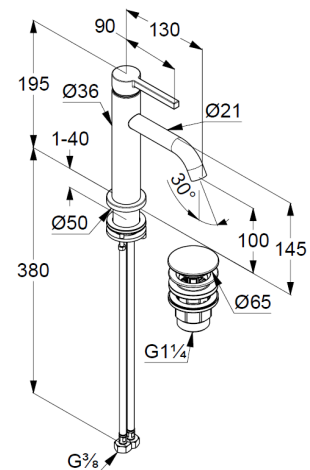
Product description  
Manufacturer KLUDI GmbH & Co. KG  
Typ: KLUDI NOVA FONTE  
single lever basin mixer 100  
Ref.: 202890515

basin mixer  
single lever mixer  
stand assembly  
1-hole mounted  
solid lever, metal  
aerator, S-Pointer M18,5 PCA  
ceramic cartridge  
middle position cold water  
flow rate at 3 bar 4,5 l/min.  
fixed spout  
flexible hoses G $\frac{3}{8}$  DVGW approved  
shank-fixing  
push open waste G1 $\frac{1}{4}$

### Produktabbildung/ Product picture



### Maßzeichnung/ Dimensional drawing



### Durchfluss/ Flow rate

