

Technische Daten/ Technical Data

KLUDI NOVA FONTE
single lever basin mixer 100
DN 15
STYLE: PURA

Ref.:
202893915

Finishes:
39 black matt finished

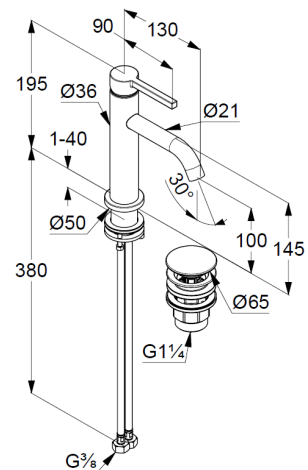
Product description
Manufacturer KLUDI GmbH & Co. KG
Typ: KLUDI NOVA FONTE
single lever basin mixer 100
Ref.: 202893915

basin mixer
single lever mixer
stand assembly
1-hole mounted
solid lever, metal
aerator, S-Pointer M18,5 PCA
ceramic cartridge
middle position cold water
flow rate at 3 bar 4,5 l/min.
fixed spout
flexible hoses G $\frac{3}{8}$ DVGW approved
shank-fixing
push open waste G $1\frac{1}{4}$

Produktabbildung/ Product picture



Maßzeichnung/ Dimensional drawing



Durchfluss/ Flow rate

