

## Technical Data

### KLUDI BOZZ

Concealed single lever bath- and shower mixer  
with security combination according to EN 1717  
PN 10

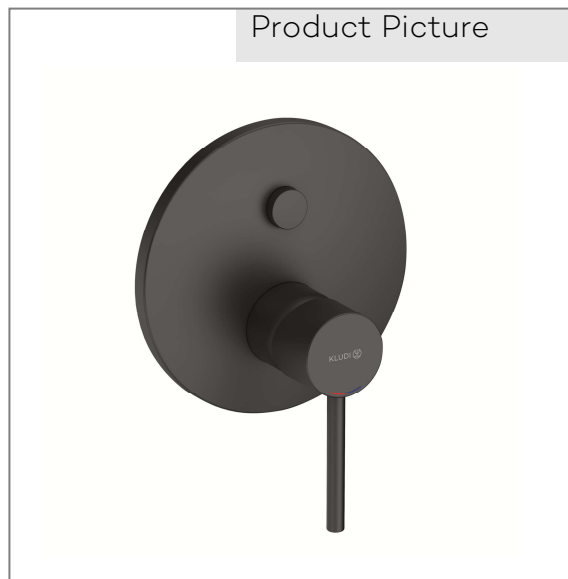
Article- Nr.:  
386633976

Surface:  
39 black matt finished

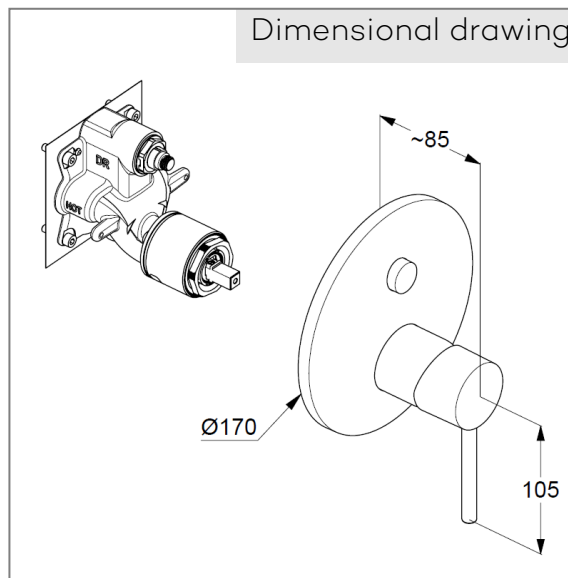
manufacturer KLUDI GmbH & Co. KG  
Typ: KLUDI BOZZ  
Concealed single lever bath- and shower mixer,  
PN 10  
Art. Nr. 386633976

concealed bath-shower mixer  
single lever mixer  
trim set without pre-installation set  
pre installation set KLUDI FLEXX.BOXX Art. Nr. 88011  
trim set with functional unit  
wall mounted  
PUSH&SWITCH diverter  
automatic diverter: shower/ bath  
solid lever, metal  
protected against back flow  
ceramic cartridge with hotwater safety device  
flow rate at 3 bar 25 l/ min.

Product Picture



Dimensional drawing



Flow rate diagram

