

Technical Data

KLUDI 1926
basin mixer
DN 15

Ref:
5101005G5

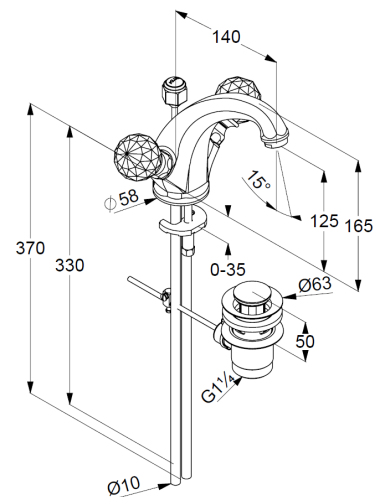
Finishes:
05 chrom

Product description
Manufacturer KLUDI GmbH & Co. KG
Typ: KLUDI 1926
basin mixer
Ref.: 5101005G5
basin mixer DN 15
two handle mixer
single hole mounted
Crystal handle
Aerator M24
ceramic headparts 180°
copper pipes \varnothing 10 mm
rapid installation set
pop up waste 1 1/4" metal

Product picture



Dimensional drawing



Flow rate diagram

