

Product: **KLUDI OBJEKTA single lever sink mixer DN 15**

Ref.: **325810575**

Product description

single lever sink mixer DN 15
 single hole mounted
 solid lever
 ceramic cartridge with hot water safety device
 aerator M 24 x 1
 flow rate shower 8,2 / spray 9,0 l/min at 3 bar
 swivelling spout (110°), pull-out hand spray
 automatic diverter: jet/spray
 protected against back flow
 flexible high pressure supply tubes 3/8 inch
 shank-fixing

Finishes:
 05 chrome

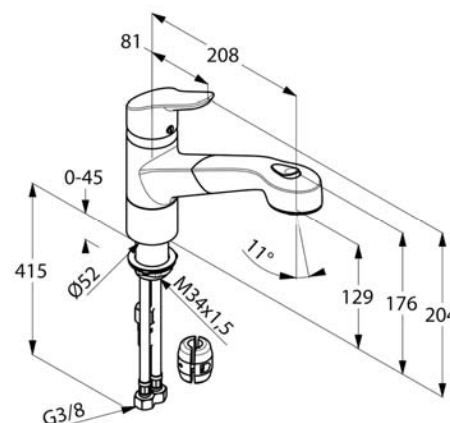
Product picture



Advertisement

single lever sink mixer, manufacturer KLUDI GmbH & Co. KG
 KLUDI OBJEKTA item no. 325810575
 type: single lever sink mixer DN 15 / PN 10 with swivel (range 110°) and pull out hand spray (max. 700 mm), chrome plated brass, solid lever chrome plated metal, ceramic cartridge K-35 with hot water safety device, aerator M 24 x 1, flow rate shower 8,2 / spray 9,0 l/min at 3 bar, flexible high pressure supply tubes 3/8 inch with DVGW / W270 approval, with shower hose with metal body M 15 x 1 x 1500 mm and counterweight with W270/KTW approval, plastic hand spray with automatic diverter, protected against back flow EN 1717, shank fixing, dimensions: height: 204 mm, nozzle height: 129 mm, projection: 208 mm, lever projection: 81 mm

Dimensional drawing



Flow rate diagram

