

Product: KLUDI STANDARD Multi sink mixer DN 8

Ref.: 317110515

Product description

Multi sink mixer DN 8
 Terralux ABS handles
 single hole mounted
 flow class A
 aerator M 24 x I
 two valves for washing-machine and dishwasher
 swivelling (360°) casted spout
 shank-fixing
 copper tubes Ø 10 mm
 noise group I
 PA-IX 3664/IA
 DIN-DVGW-AT-2177

Finishes:
 05 chrome

Product picture

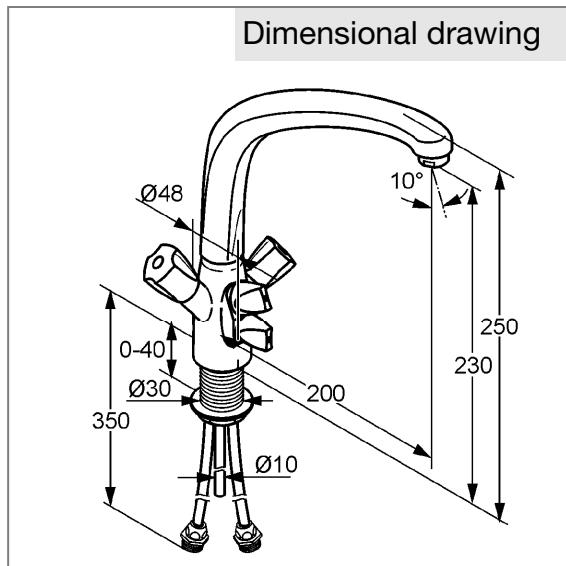


Advertisement

- * KLUDI GmbH & Co KG KLUDI STANDARD Multi-sink mixer item no. 317110515
- ** classic headparts, DIN EN 200
- *** chrome plated brass, DIN 50930-6

Multi-sink mixer, manufacturer KLUDI GmbH & Co KG KLUDI STANDARD Multi-sink mixer item no. 317110515, DN 8, chrome plated brass, type: Multi-sink mixer DN 8, swivel spout, Terralux ABS handles, handle projection 50 mm, aerator M 24 x I, noise level DIN EN 4109 group I, report no. PA- IX 3664 / IA, flow class A (max. 0,25 l/s), nozzle projection 200 mm, back nut fixing, copper tubes Ø 10 mm length 350 mm, nozzle height 230 mm, classic headparts, handles with marking red7blue, two valves for washing-machine or dishwasher (flow rate 12,2 l/min at 3 bar), overall length 250 mm, for borehole diameter Ø 32 mm, for pressure type water heater, for continuous line heater, PN 10,

Dimensional drawing



Flow rate diagram

