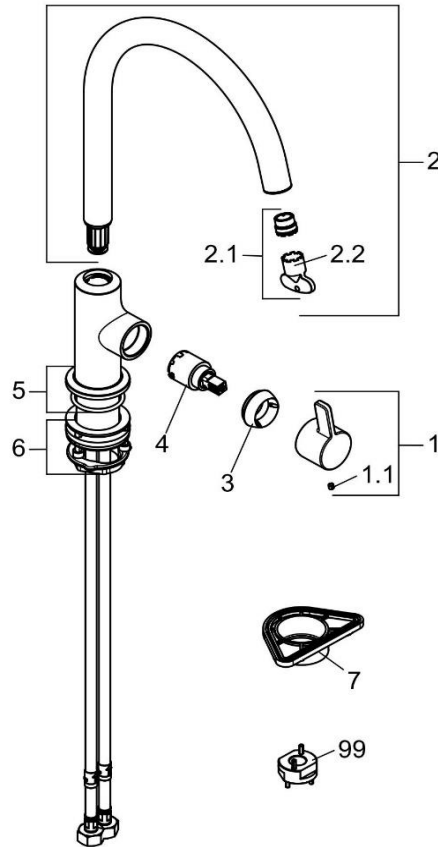


KLUDI BINGO STAR XS



| 468030578 | | Spültisch-Einhandmischer DN 15 | single lever sink mixer DN 15 |
|-----------|-------------|--------------------------------|-------------------------------|
| 1 | 7358305-00 | HEBEL | LEVER |
| 1.1 | 91726335-00 | GEWINDESTIFT | GRUB SCREW |
| 2 | 7363305-00 | AUSLAUF | SPOUT |
| 2.1 | 7301700-00 | STRAHLREGLER | AERATOR |
| 2.2 | 93069300-00 | STRAHLREGLERSCHLÜSSEL | WRENCH FOR AERATOR |
| 3 | 92217005-00 | SPANNSCHRAUBE | FASTENING SCREW |
| 4 | 7486800-00 | STEUEREINHEIT | CERAMIC CARTRIDGE |
| 5 | 7319705-00 | ROSETTE | ESCUTCHEON |
| 6 | 7883000-00 | BEFESTIGUNGSSATZ | MOUNTING KIT |
| 7 | 93001600-00 | VERSTÄRKUNGSPLATTE | STABILIZER PLATE |
| 99 | 92916500-00 | SPANNSCHRAUBENSCHLÜSSEL | WRENCH FOR FASTENING SCREW |
| | | | |
| | | | |
| | | | |
| | | | |
| | | | |
| | | | |
| | | | |
| | | | |
| | | | |
| | | | |
| | | | |
| | | | |