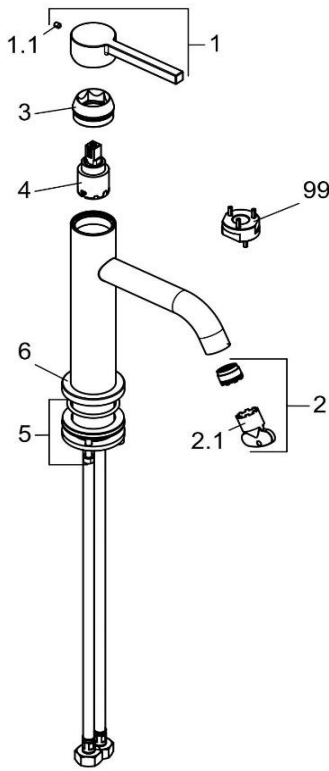


KLUDI NOVA FONTE PURA



|           |                                 |                                |                            |
|-----------|---------------------------------|--------------------------------|----------------------------|
| 200263915 | Waschtisch-Einhandmischer DN 15 | single lever basin mixer DN 15 |                            |
| 1         | 7392039-00                      | HEBEL NOVA FONTE PURA          | LEVER NOVA FONTE PURA      |
| 1.1       | 92105035-00                     | GEWINDESTIFT                   | GRUB SCREW                 |
| 2         | 7509300-00                      | STRAHLREGLER                   | AERATOR                    |
| 2.1       | 93104000-00                     | STRAHLREGLERSCHLÜSSEL          | WRENCH FOR AERATOR         |
| 3         | 92071339-00                     | ABDECKSCHRAUBE                 | COVER SCREW                |
| 4         | 7486800-00                      | STEUEREINHEIT                  | CERAMIC CARTRIDGE          |
| 5         | 7396600-00                      | BEFESTIGUNGSSATZ               | MOUNTING KIT               |
| 6         | 7396539-00                      | ROSETTE                        | ESCUTCHEON                 |
| 99        | 92916500-00                     | SPANNSCHRAUBENSCHLÜSSEL        | WRENCH FOR FASTENING SCREW |
|           |                                 |                                |                            |
|           |                                 |                                |                            |
|           |                                 |                                |                            |
|           |                                 |                                |                            |
|           |                                 |                                |                            |
|           |                                 |                                |                            |
|           |                                 |                                |                            |
|           |                                 |                                |                            |
|           |                                 |                                |                            |
|           |                                 |                                |                            |
|           |                                 |                                |                            |
|           |                                 |                                |                            |
|           |                                 |                                |                            |
|           |                                 |                                |                            |
|           |                                 |                                |                            |
|           |                                 |                                |                            |