

## Technical Data

### KLUDI BALANCE

electronic controlled basin mixer  
DN 15

Ref.:  
5220005WR

Finishes:  
05 chrome

#### Product description

Manufacturer KLUDI GmbH & Co. KG

Typ: KLUDI BALANCE

Electronic controlled basin mixer DN 15

Ref.: 5220005WR

basin mixer DN 15

electronic controlled

electric power supply via 230 V main adapter

single hole mounted

mixing shaft with temperature handle

optical object registration

aerator M24

protected against back flow

flow rate at 3 bar = 1,9 l/ min.

flexible hoses G 3/8 DVGW approved

with integrated back flow preventer

rapid installation set

activation optoelectronic

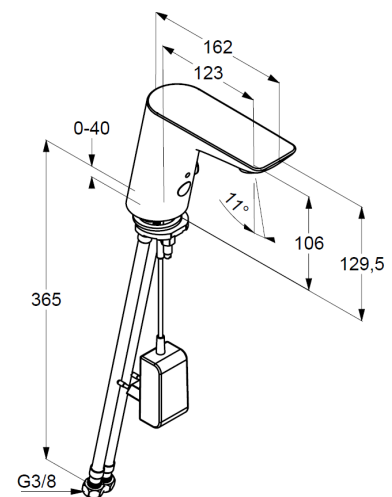
maximum water run- time 2 minutes

safety class IP65

Product picture



Dimensional drawing



Flow rate diagram

