

Product: **KLUDI FIZZ Thermostatic Dual Shower System DN 15**

Ref.: **6709505-00**

Product description

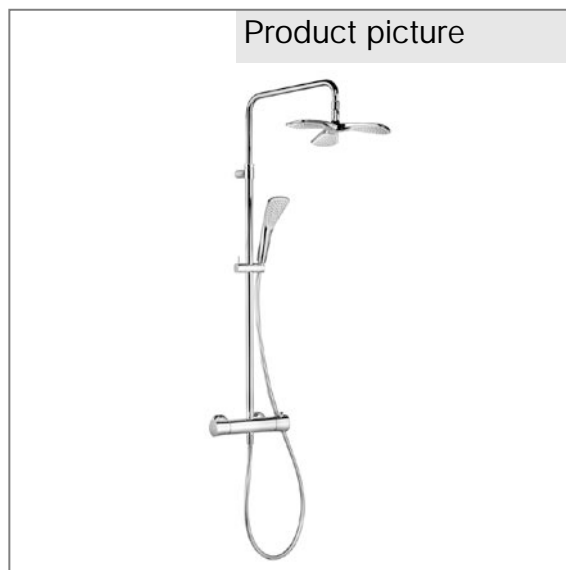
Thermostatic Dual Shower System DN 15
 with horizontally and vertically adjustable riser pipe
 wall fastening
 temperature control handle with hot water safety device 38°C
 with ceramic shut-off valve as rotary valve 90°/90°
 outlet hand shower (below) rotate the handle to the rear
 outlet head shower (up) rotate the handle forward
 protected against back flow
 shower holder vertically and horizontally adjustable
 with KLUDI SUPRAFLEX SILVER shower hose 1/2 x 1/2 inch x 1600 mm
 with KLUDI FIZZ swivel head shower KB 3
 with KLUDI FIZZ hand shower 1 S, with one spray pattern
 with fixing kit, with dirt-catcher sieve

Finishes:
 05 chrome

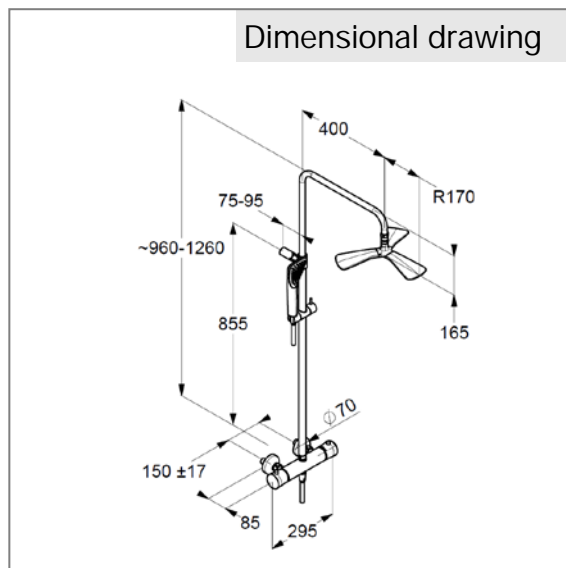
Advertisement

thermostatic shower mixer, manufacturer KLUDI GmbH & Co. KG
 KLUDI FIZZ item no. 6709505-00
 type: Thermostatic Dual Shower System, DN 15 / PN 10, chrome plated brass/plastic,
 ceramic shut-off valve as a rotary valve 90°/90°, solid handle chrome plated plastic,
 temperature control handle with hot water safety device 38 °C, with dirt-catcher sieve
 and backflow preventer, flow rate hand shower 15,5 l/min at 3 bar, flow rate head
 shower 22 l/min at 3 bar, protected against back flow DIN EN 1717, concealed S
 unions 1/2 x 3/4 inch, with KLUDI FIZZ swivel head shower KB 3 with cleaning sys-
 tem, connection 1/2 inch, with KLUDI FIZZ hand shower 1 S, with cleaning system,
 with one spray pattern, chrome plated plastic, connection 1/2 inch, with KLUDI
 SUPRAFLEX SILVER shower hose 1/2 x 1/2 inch x 1600 mm, metal-effect (silver),
 outlet to head shower (up) with horizontally and vertically adjustable rigid shower
 riser, chrome plated, with slider horizontally and vertically adjustable, with wall sock-
 et, with fixing kit
 dimensions: height: 960-1260 mm, projection: 400 mm, head shower: Ø 338 mm,
 hand shower: 90/250 mm, width thermostatic mixer: 295 mm
 for pressure type water heater, for continuous line heater

Product picture



Dimensional drawing



Flow rate diagram

