

Technical Data

KLUDI A-QA
Wall shower arm
400 mm
DN 15

Ref.:
6653405-00

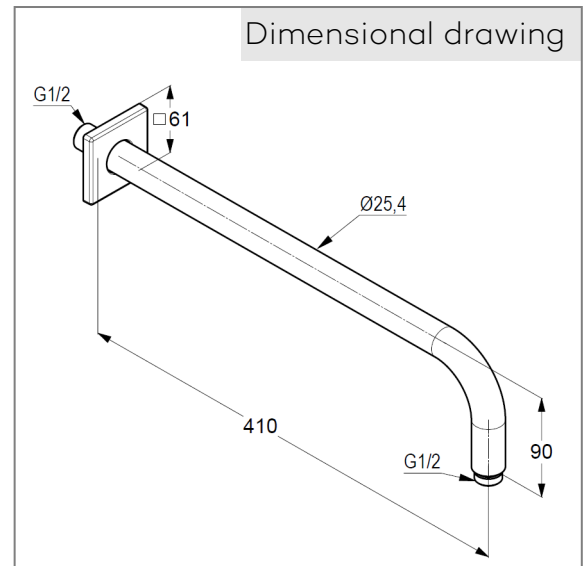
Finishes:
05 chrome

Product description
Manufacturer KLUDI GmbH & Co. KG
Typ: KLUDI A-QA
Wall shower arm DN 15
400 mm
Ref.: 6653405-00
Wall shower arm
Flow rate at 3 bar = 42 l/ min.
connection 1/2"
for head showers DN 15
with push-on rosette 61 x 61 mm
for rigid wall mounting
projection 400 mm

Product picture



Dimensional drawing



Flow rate diagram

