

Product: KLUDI Dual Shower System DN 15

Ref.: 6609005-00

Product description

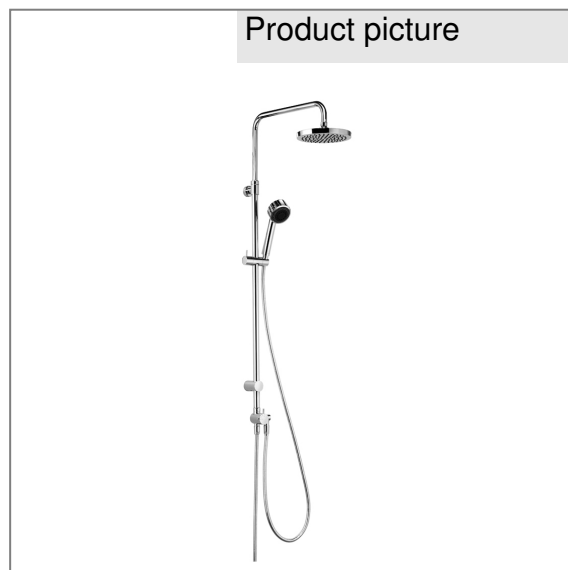
Dual Shower System DN 15
 with horizontally and vertically adjustable riser pipe
 wall fastening
 two-way ceramic diverter
 water supply with connecting hose 1/2 x 1/2 inch x 800 mm
 ridgeless adjustable slider vertically and horizontally
 adjustable
 with KLUDI SUPARAFLEX shower hose 1/2 x 1/2 inch x
 1600 mm
 with KLUDI A-QA swivel head shower Ø 200 mm
 with KLUDI ZENTA 2 S hand shower, with two spray pat-
 terns
 with fixing kit
 without shower mixer

Finishes:
 05 chrome

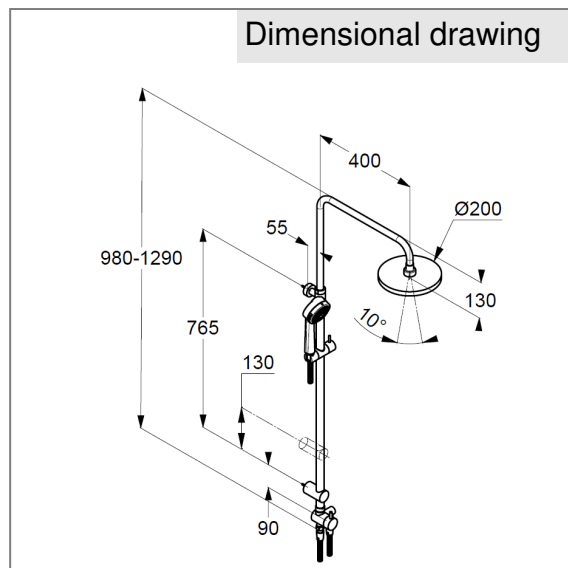
Advertisement

Dual Shower System, manufacturer KLUDI GmbH & Co. KG
 KLUDI item no. 6609005-00
 type: Dual Shower System, DN 15 / PN 5, chrome plated brass / plastic,
 with 2 way ceramic diverter cartridge: head shower to hand shower,
 lever chrome plated metal, flow rate hand shower 13 l/min at 3 bar, flow
 rate head shower 11 l/min at 3 bar, with KLUDI A-QA swivel head
 shower, with cleaning system, connection 1/2 inch, with KLUDI ZENTA
 2 S hand shower, chrome plated plastic, with cleaning system, connec-
 tion 1/2 inch, with KLUDI SUPARAFLEX shower hose 1/2 x 1/2 inch x
 1600 mm plastic coated with metal effect, outlet to head shower (up)
 with horizontally and vertically adjustable rigid shower riser, chrome
 plated, with slider horizontally and vertically adjustable, with flexible
 connecting hose 1/2 x 1/2 inch x 800 mm, with wall socket, with fixing
 kit
 dimensions: height: 980-1290 mm, projection: 400 mm, head shower:
 Ø 200 mm, hand shower: Ø 84/230 mm
 protection against back flow DIN EN 1717 over shower mixer or wall
 supply, for continuous line heater, for pressure type water heater

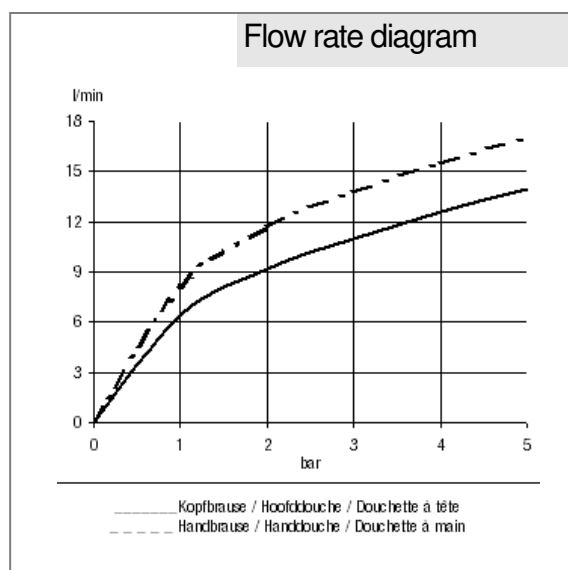
Product picture



Dimensional drawing



Flow rate diagram



● KLUDI ●

[Redacted]

[Redacted]

[Redacted]

[Redacted]

[Redacted]

[Redacted]

[Redacted]
