

Product: **KLUDI LOGO Dual Shower System DN 15**

Ref.: **6809105-00**

Product description

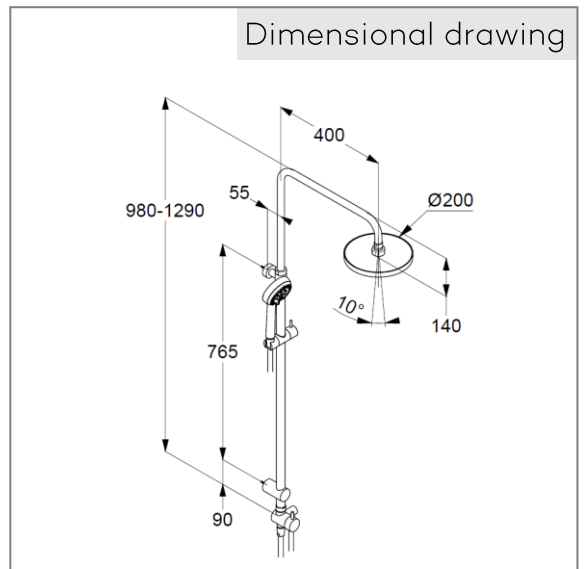
Dual Shower System DN 15
 with horizontally and vertically adjustable riser pipe wall fastening
 two-way ceramic diverter
 water supply with connecting hose 1/2 x 1/2 inch x 800 mm
 ridgeless adjustable slider vertically and horizontally adjustable
 with KLUDI SUPARAFLEX SILVER shower hose 1/2 x 1/2 inch x 1600 mm
 with KLUDI A-QA swivel head shower
 with KLUDI LOGO 3 S hand shower, with three spray patterns
 with fixing kit
 without shower mixer

Finishes:
 O5 chrome

Product picture



Dimensional drawing



Advertisement

Dual Shower System, manufacturer KLUDI GmbH & Co. KG
 KLUDI LOGO item no. 6809105-00
 type: Dual Shower System KB 2, DN 15 / PN 5, chrome plated brass/plastic, with 2 way ceramic diverter cartridge: head shower to hand shower, lever chrome plated metal, flow rate hand shower volume 14 l/min at 3 bar, flow rate head shower 15 l/min at 3 bar, with KLUDI A-QA swivel head shower, with cleaning system, connection 1/2 inch, with KLUDI LOGO 3 S hand shower, chrome plated plastic, with booster / linear / volume spray, with cleaning system, connection 1/2 inch, with KLUDI SUPARAFLEX SILVER shower hose 1/2 x 1/2 inch x 1600 mm, plastic coated with metal effect, outlet to head shower (up) with horizontally and vertically adjustable rigid shower riser, chrome plated, with slider horizontally and vertically adjustable, with flexible connecting hose 1/2 x 1/2 inch x 800 mm, with wall socket, with fixing kit protection against back flow DIN EN 1717 over shower mixer or wall supply,

Flow rate diagram

