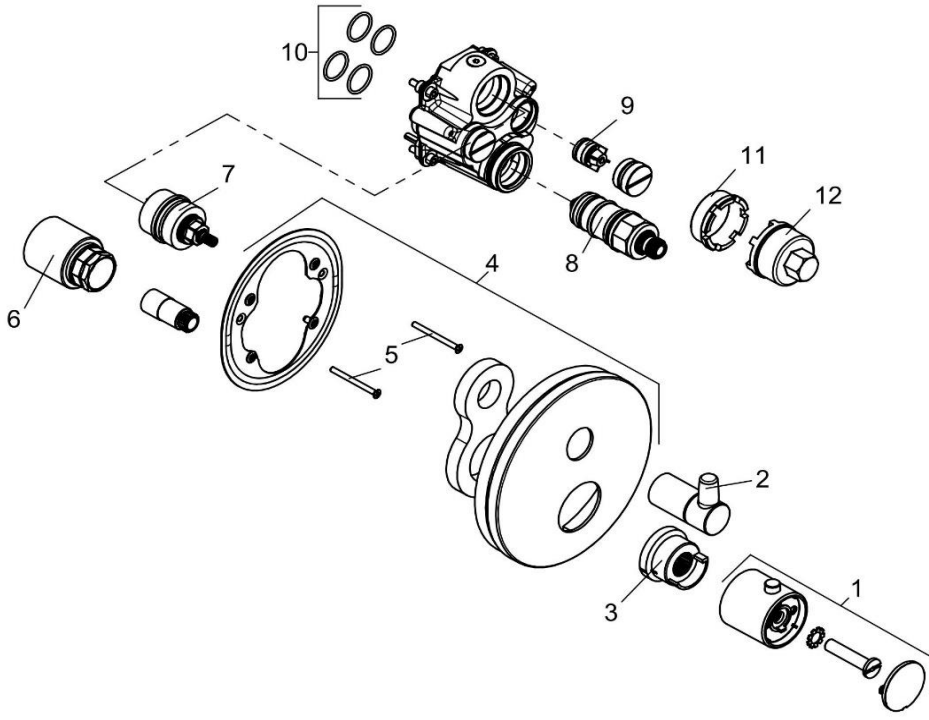


ab 03/18

388350545		Unterputz-Brause-Thermostatarmatur	concealed thermostatic shower mixer
1	7488605-00	THERMOSTATGRIFF	HANDLE FOR THERMOSTAT
2	7468905-00	UMSTELLGRIFF / ABSPERRGRIFF	DIVERTER HANDLE / SHUT-OFF HANDLE
3	93091406-00	JUSTIERBUCHSE	SLEEVE FOR ADJUSTMENT
4	7468705-00	UP - ROSETTE	ESCUTCHEON, CONCEALED
5	7446335-00	SCHRAUBEN SET	SCREW SET
6	92029905-00	KOPFSTÜCKVERLÄNGERUNG	EXTENSION FOR HEAD PIECE
7	92241637-00	ADAPTER	ADAPTER
8	92256637-00	SPANNSCHRAUBE	FASTENING SCREW
9	7356537-00	ABSPERRKARTUSCHE	SHUT - OFF CARTRIDGE
10	7639000-00	THERMOSTAT	TEMPERATURE CONTROL UNIT
11	7479700-00	RÜCKFLUSSVERHINDERER	BACK FLOW PREVENTER
12	7301100-00	DICHTUNGSSATZ	SEALING SET



bis 02/18

388350545		Unterputz-Brause-Thermostatarmatur	concealed thermostatic shower mixer
1	7488605-00	THERMOSTATGRIFF	HANDLE FOR THERMOSTAT
2	7468905-00	UMSTELLGRIFF / ABSPERRGRIFF	DIVERTER HANDLE / SHUT-OFF HANDLE
3	93071506-00	JUSTIERBUCHSE	SLEEVE FOR ADJUSTMENT
4	7468705-00	UP - ROSETTE	ESCUTCHEON, CONCEALED
5	7446335-00	SCHRAUBEN SET	SCREW SET
6	92029905-00	KOPFSTÜCKVERLÄNGERUNG	EXTENSION FOR HEAD PIECE
7	7813837Z-00	DIVERTER KARTUSCHE	DIVERTER CARTRIDGE
8	7492600-00	THERMOSTAT	TEMPERATURE CONTROL UNIT
9	7479700-00	RÜCKFLUSSVERHINDERER	BACK FLOW PREVENTER
10	7301100-00	DICHTUNGSSATZ	SEALING SET
11	92284337-00	SPANNSCHRAUBE	FASTENING SCREW
12	93086904-00	SPANNSCHRAUBENSCHLÜSSEL	WRENCH FOR FASTENING SCREW