

**Product:** KLUDI E2 concealed shower mixer, trim set with functional unit

**Ref.:** 496550575

**Product description**

concealed shower mixer  
 trim set with functional unit  
 wall mounting  
 solid lever  
 ceramic cartridge with hot water safety device  
 flow rate 25 l/min at 3 bar  
 without pre-installation set  
 KLUDI FLEXX.BOXX item no. 88011

Finishes:  
 05 chrome

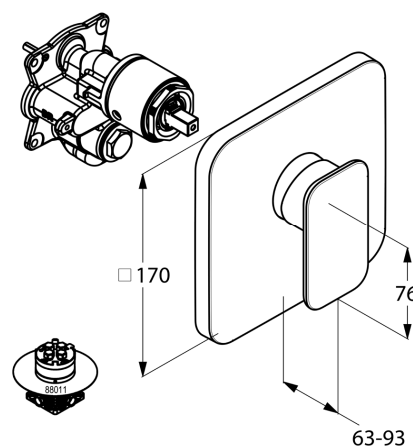
Product picture



**Advertisement**

concealed shower mixer valve, manufacturer KLUDI GmbH & Co. KG  
 KLUDI E2 item no. 496550575  
 type: concealed shower mixer trim set with functional unit, solid lever chrome plated metal, cover plate chrome plated plastic, ceramic cartridge K-41 with hot water safety device, flow rate 25 l/min at 3 bar, functional unit made of dezincification resistant brass  
 dimensions: diameter cover plate: 170/170 mm, lever projection: 76 mm, projection: 93 mm  
 Suitable for pre-installation set KLUDI FLEXX.BOXX DN 20 item no. 88011, not included.

Dimensional drawing



Flow rate diagram

