

Product: **KLUDI MEDI CARE single lever basin mixer DN 15**

Ref.: **341120524**

Product description

single lever basin mixer DN 15
 arm lever for hospital purpose
 single hole mounted
 flow class Z
 flow rate 8 l/min
 care jet-spray regulator M 24 x I
 safety ceramic cartridge with hot water safety stop
 without pop up waste
 rapid installation set
 rigid spout
 copper tubes \varnothing 10 mm
 noise group I
 P-IX 9571/IZ

Finishes:
 05 chrome

Advertisement

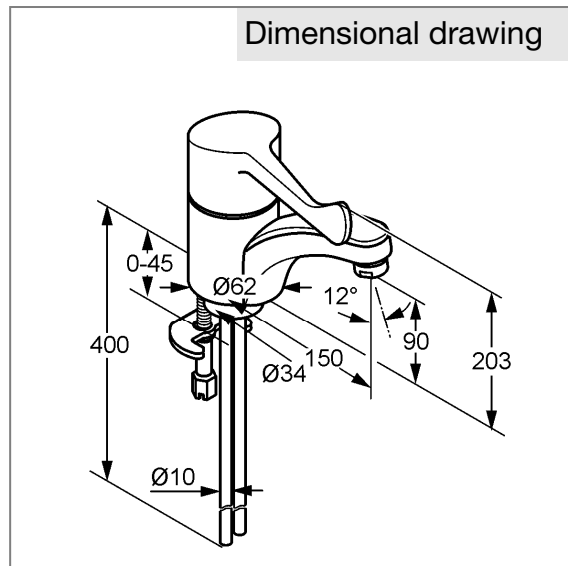
- * KLUDI GmbH & Co. KG KLUDI MEDI-CARE single lever basin mixer item no. 341120524
- ** safety ceramic cartridge with hot water safety stop \varnothing 35 mm, DIN EN 817
- *** chrome plated brass, DIN 50930-6

single lever basin mixer KLUDI GmbH & Co. KG KLUDI MEDI-CARE single lever basin mixer item no. 341120524, DN 15, chrome plated brass, safety ceramic cartridge with hot water safety stop \varnothing 35 mm, flow rate 8 l/min, type: single lever basin mixer DN 15, PCA care- non aerated M 24 x I, noise level DIN EN 4109 group I, report no. P-IX 9571 / IZ, nozzle height 90 mm, lever projection 160 mm, copper tubes \varnothing 10 mm chrome plated length 400 mm, nozzle projection 150 mm, overall length 203 mm, rapid installation set, rigid spout, arm lever for hospital purpose, for borehole diameter \varnothing 34 mm, for pressure type water heater, for continuous line heater, PN 10,

Product picture



Dimensional drawing



Flow rate diagram

