

Product: KLUDI SPEZIAL wall mounted sink mixer DN 15

Ref.: 314530515

Product description

wall mounted sink mixer DN 15
 ABS Terralux handle
 wall fastening
 distance from center to center 45 mm
 flow class A
 aerator M 22 x I
 swivelling tube spout (360°)
 outlet screw union G 3/4
 S unions
 noise group II
 P-IX 4085/IIA

Finishes:
 05 chrome

Product picture

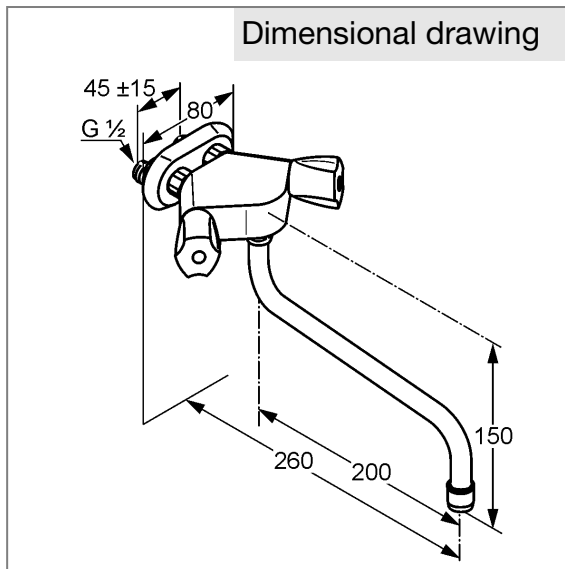


Advertisement

- * Kludi GmbH & Co KG Kludi STANDARD wall mounted sink mixer item no. 314530515
- ** classic headparts, DIN EN 200
- *** chrome plated brass, DIN 50930-6

wall mounted sink mixer, manufacturer Kludi GmbH & Co KG Kludi STANDARD wall mounted sink mixer item no. 314530515, DN 15, chrome plated brass, type: sink wall mixer, swivel spout, Terralux plastic handle, handle projection 50 mm, aerator M 22 x I, noise level DIN EN 4109 group II, report no. P- IX 4085 / IIA, flow rate A (max. 0,25 l/s), nozzle projection 260 mm, S unions 1/2 x 1/2 inch, classic headparts, handle with marked: red / blue, distance form center to center 45 mm, for pressure type water heater, for continuous line heater, PN 10

Dimensional drawing



Flow rate diagram

