

Technical Data

KLUDI
Hand shower 1 S
DN 15

Ref.:
3912005-00

Finishes:
05 chrom

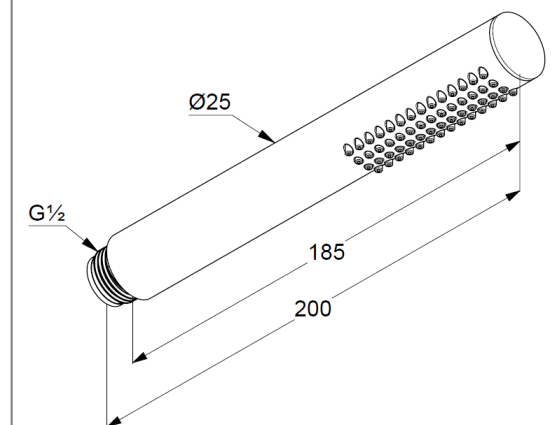
Product description
Manufacturer KLUDI GmbH & Co. KG
Typ: KLUDI
Hand shower 1 S DN 15
Ref.: 3912005-00

hand shower 1 S
1 spray pattern
with cleaning system
connection 1/2"
sieve seal

Product picture



Dimensional drawing



Flow rate diagram

